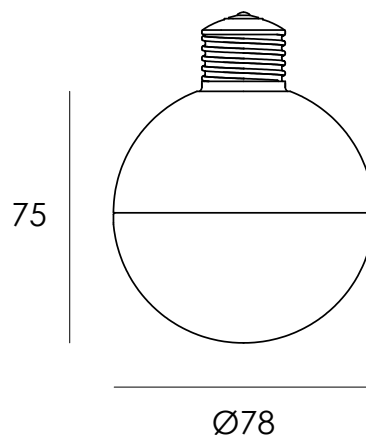


# CHROME DOME LAMP

LAMP

ART IMITATING LIGHT  
DEAN PHILLIPS



NO  
DRIVER

## DESIGN FEATURES

- Minimalist design aesthetic
- Solid acrylic lens
- Aluminium dome heatsink
- Electroplated and powder coated finishes
- Available in four different finishes
- Available in suspended and wall mounted versions

## INSTALLATION FEATURES

- Universal E27 lamp base
- Australian designed
- 5 year warranty
- 10 year extended warranty optional
- Do not clean with alcohol, mild soap & water only

## SPECIFICATIONS

### MATERIAL

ALUMINIUM / ACRYLIC

### FINISH

POWDER COAT / ELECTROPLATE

### LAMP

ARRAY LED

### OUTPUT

5W / 240V / 303lm

SYSTEM WATTAGE & EXIT LUMENS

TESTED WITH WHITE FINISH / 2700K

## OPTIONS

**FINISH:** White / Black / Chrome / Antique Bronze  
**COLOUR TEMP:** 2700K  
**DIMMING:** Phase dim

PROJECT:

TYPE NO.:

QTY:

REV: 15/06/21

DEANPHILLIPS.COM.AU